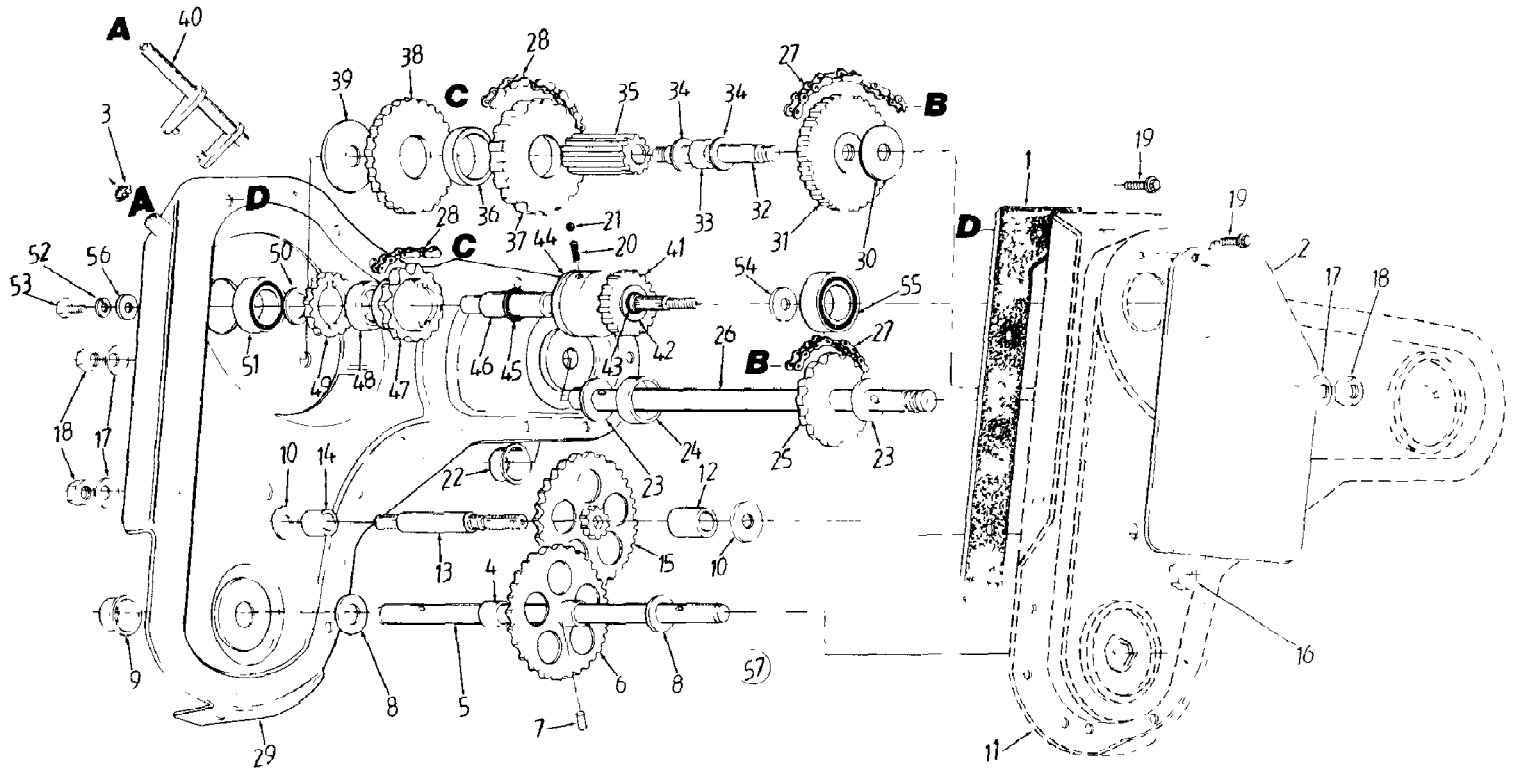


214-410-190 Roto Boss 530 (1994)  
Engine, Frame Counterweight, & Wheel Assembly

Page 2 of 8

Ref #	Part Number	Qty	S/P/F	Description
1	710-0118	1	S	Hex Bolt 5/16-18 x .75" Lg.
2	712-3004A	1	/P	Hex Flange Top L-Nut 5/16-18 Thd.
3	786-0107	1		Cable Mtg. Bracket
4	710-1017	1	/P	Torx Mach. AB - Tap Scr. 1/4 x .6" Lg.
5	738-0899	1		Belt Cover Bolt
6	786-0117	1	S	Shift Cover Bracket
7	786-0100	1		Belt Cover
8	736-0142	1	S	FI-Wash. .281" I.D. x .5" Q.D.
9	712-0392	1	/P	Hex Cap Nut 1/4-28 Thd.
10	756-0634	1		Flat Pulley 8" O.D.
11	736-0105	1	/P	Bell-Wash. .38" I.D. x .88" O.D.
12	712-0130	1	/P	Hex Ins. L-Nut 3/8-16 Thd.
13	754-0438	1	S	"V" - Belt
14	686-0031	1	S	Belt Keeper Brkt.
15	736-0119	1	S	L-Wash. 5/16" I.D.
16	710-0237	1	/P	Hex Bolt 5/16-24 x .62" Lg.
17	738-0876	1	S	Shld. Nut
18	712-0266	1	S	Hex Jam L-Nut 3/8-16 Thd.
19	756-0405	1	/P	FI-Idler w/Flanges
20	710-0152	1	S	Hex Bolt 3/8-24 x 1" Lg.
21	736-0217	1	S	L-Wash. 3/8" I.D.
22	736-0258	1	/P	FI-Wash. 3/8" I.D. x 1" O.D.
23	756-0972	1		Outer Engine Pulley Half
24	756-0971	1		Inner Engine Pulley Half
25	786-0080	1	S	Idler Bracket
26	710-0723	1	/P	Hex Cap Bolt 3/8-16 x 1.25" Lg.
27	746-0916	1	S	Clutch Cable
28	734-0255	1	S	Air Valve
29	714-0104	1	S	Hairpin Clip
30	711-1017	1	/P	Clevis Pin
31	634-0112	1		Rim Only Code: N notates a new part (not previously existing).
32	634-0110	1	S	Wheel Ass'y Comp - R.H. Code: N notates a new part (not previously existing).
	634-0111	1	S	Wheel Ass'y Comp - L.H. Code: N notates a new part (not previously existing).
	734-1796	1	S	Tire Only Code: N notates a new part (not previously existing).
34	619-0009	1	S	Frame Counterweight
35	710-1007	1	/P	Hex L-Wash TT-Tap Scr. 3/8-16 Thd.
36	710-3002	1	S	Hex Cap Bolt 5/16-18 x 1" Lg. (Gr. 5)
37	712-3004A	1	/P	Hex Flange L-Nut 5/16-18 Thd.
38		1		Engine
39	710-0899A	1	/P	Hex Sems Scr. #10-32 x .62" Lg.
40	751-0360A	1	S	Casing Clamp
41	686-0043	1	S	Tine Shield Brkt Ass'y
42	710-3038	1	/P	Hex Cap Bolt 5/16-18 x 7/8" Lg.

214-410-190 Roto Boss 530 (1994)  
Gear Case Assembly

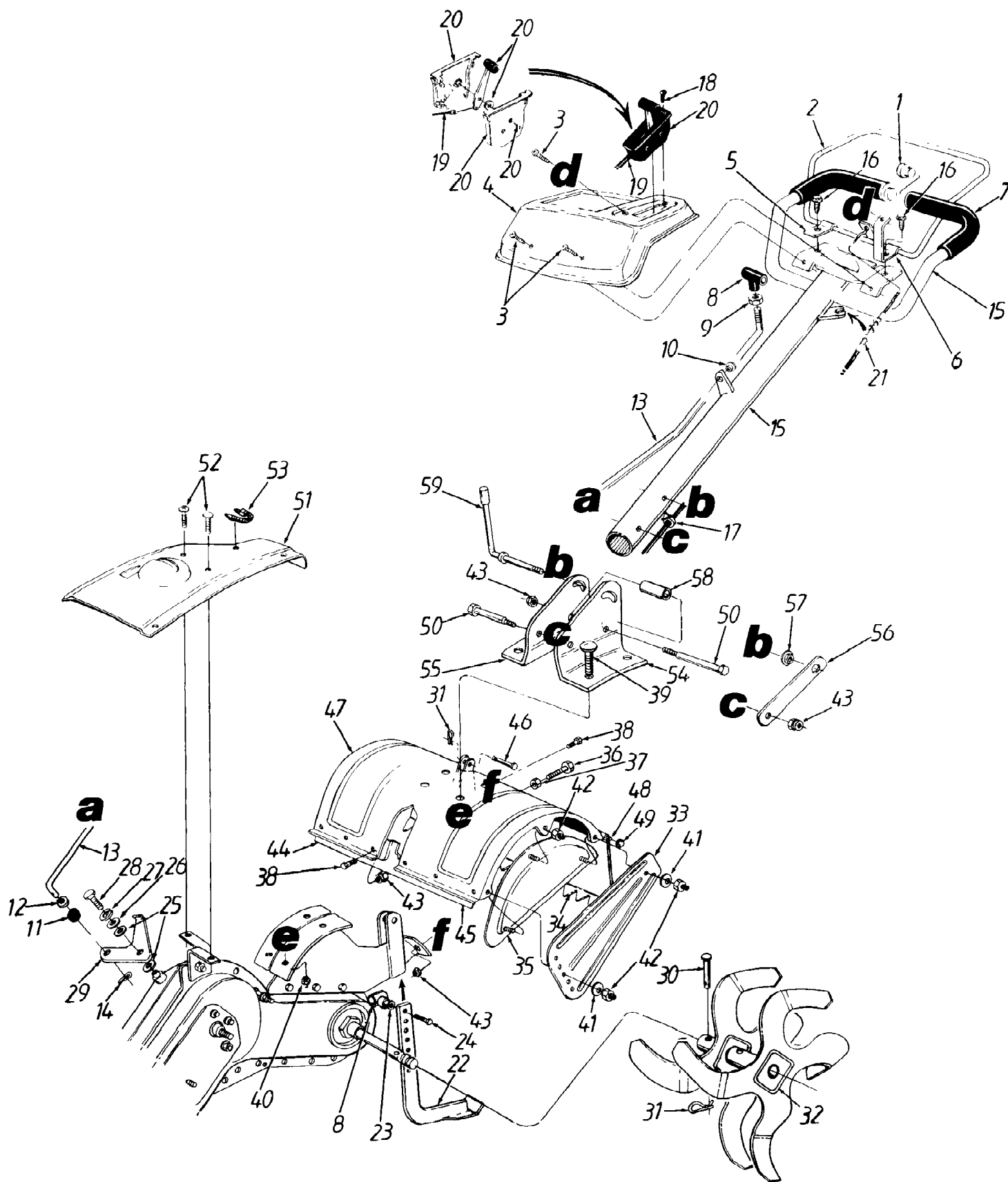


Ref #	Part Number	Qty	S/P/F	Description
1	721-0295	1		Chain Case Gasket
2	786-0086	1	S	Reinforcement Plate
3	716-0865	1	/P	Snap Ring
4	750-0938	1	S	Spacer .735" I.D. x .886" O.D.
5	711-1015	1	S	Wheel Shaft
6	717-1406	1	S	Spur Gear 46T
7	715-0215	1	S	Pin Type "E" Grooved
8	736-0351	1	S	FI-Wash. .76" I.D. x 1.5" O.D.
9	784-0166	1	S	Dust Cover Ass'y..75" Shaft
10	736-0406	1	S	FI-Wash. 7/16" I.D. x 1-3/8" O.D.
11	686-0039	1	S	Gear Case Ass'y. Half - L.H.
12	750-0935	1		Spacer .635" I.D. x 1" O.D. x .78 Thk.
13	738-0885	1		Jack Shaft 2.06" Lg.
14	750-0936	1	S	Spacer .635" I.D. x 1" O.D. x .37" Thk.
15	617-0004	1	S	Gear Idler Ass'y.
16	712-3067	1	/P	Hex Patch L-Nut 7/16-20 Thd.
17	736-0407	1		Bell-Wash. .45" I.D. x 1" O.D.
18	712-0378	1	/P	Hex Nut 7/16-20 Thd.
19	710-0599	1	/P	Hex Wash. Hd. TT-Tap Scr. 1/4-20 x .5" Lg.
20	732-0863	1	S	Spring Detent
21	741-0862	1	/P	Ball Detent
22	784-0167	1	S	Dust Cover Ass'y. 1" Shaft
23	736-0163	1	S	Thrust Wash. 1.03" I.D. x 1.62" O.D.
24	750-0570	1	S	Spacer 1" I.D. x 2" O.D. x .5" Thk.
25	713-0205	1		18T Sprocket
26	738-0641	1	S	Tine Shaft
27	713-0226	1	S	Chain #50 5/8" Pitch x 52 Links - Endless
28	713-0223	1	S	Chain - #41 1/2" Pitch x 30 Links - Endless
29	686-0038	1		Gear Case Ass'y Half - R.H.
30	736-0406	1	S	FI-Wash 7/16" I.D. x 1-3/8" O.D.
31	617-0002	1	S	Gear and Sprocket Ass'y.
32	738-0884	1		Jack Shaft 5" Lg
33	750-0931	1		Spacer .636" I.D x .86" O.D.
34	736-0302	1	/P	FI-Wash .63" I D x .94" O.D.
35	717-1411	1	S	Spur Gear 10T
36	750-0930	1	S	Spacer 1.5" I.D. x 1.76" O.D.
37	713-0436	1		Sprocket - #41 Chain
38	717-1405	1		Reverse Gear 46T
39	736-0518	1		Thrust Wash .445" I.D. x 1.92" O.D.
40	618-0105	1	S	Shifter Ass'y.
41	717-1409	1		Spur Gear 17T
42	736-0442	1		FI-Wash .69" I.D. x 1.06" O.D.
43	716-0234	1	S	Retaining Ring .669" Shaft
44	718-0234	1		Clutch Collar
45	716-0235	1	S	Retaining Ring .875" Shaft
46	711-0952	1	S	Drive Shaft
47	713-0435	1		Sprocket 11T
48	750-0928	1		Neutral Spacer
49	717-1408	1	S	Spur Gear 16T
50	736-0336	1	S	FI-Wash 5/8" I.D. x 1" O.D.
51	741-0124	1	S	Ball Bearing .669" I.D.
52	736-00329	1		L-Wash 1/4" I.D.
53	710-0258	1		TT-Tap Scr. 1/4-20 x .62" Lg.

214-410-190 Roto Boss 530 (1994)  
Gear Case Assembly

Page 5 of 8

Ref #	Part Number	Qty	S/P/F	Description
54	736-0511	1		FI-Wash .635" I.D. x 1" O.D.
55	741-0563	1	S	Ball Bearing
56	736-0512	1		FI-Wash .281" I.D. x .875" O.D.
57	686-0040	1		Gear Case Ass'y. Comp.



214-410-190 Roto Boss 530 (1994)  
Handle Assembly And Tine Shield

Page 7 of 8

Ref #	Part Number	Qty	S/P/F	Description
1	735-0246	1		Vinyl End Plug
2	647-0014	1		Clutch Control Ass'y.
3	710-1017	1	/P	Torx Mach. AB-Tap Scr. 1/4 x .62" Lg.
4	786-0102	1	S	Handle Cover
5	786-0098	1	S	Retaining Brkt. - R.H.
6	786-0118	1	S	Retaining Brkt. - L.H.
7	720-0278	2 Req'd.	S	Grip
8	720-0210A	1	/P	Knob
9	712-3008	1	S	Hex Jam Nut 3/8-16 Thd.
10	735-0228	1		Bushing 3/8" I.D.
11	735-0127	1	/P	Rubber Washer
12	736-0204	1	/P	FI-Wash. .344" I.D. x .6" O.D.
13	747-0902	1		Gear Shift Rod
14	714-0104	1	S	Hairpin Clip
15	649-0006	1	S	Handle Ass'y.
16	710-0599	1	/P	Hex Wash. Hd. TT-Tap Scr. 1/4-20 x .5" Lg.
17	726-0330	1		Cable Clip
18	710-0779A	1	/P	Truss Mach. AB-Tap Scr. #10 x .5" Lg.
19	746-0917	1	S	Throttle Wire 55" Lg.
20	831-0823A	1	/P	Throttle Control Box Ass'y.
21	746-0916	1	S	Clutch Cable
22	786-0120	1	S	Depth Bar
23	736-0117	1	S	FI-Wash. 3/8" I.D. x 5/8" O.D.
24	710-0216	1	/P	Hex Bolt 3/8-16 x .75" Lg.
25	717-0234	1		Washer 1" O.D. (Hdn.)
26	736-0173	1	/P	FI-Wash. .281" I.D. x .73" O.D.
27	736-0329	1	S/F	L-Wash. 1/4" I.D.
28	710-0751	1	/P	Hex Bolt 1/4-20 x .62" Lg. (Gr. 5)
29	786-0095	1		Shift Brkt.
30	711-0415	1	S	Clevis Pin
31	714-0149B	1	S	Hairpin Clip
32	642-0015	1	S	Tine Ass'y - L.H.
	642-0016	1	S	Tine Ass'y - R.H. Not shown
33	786-0090	1		Side Shield
34	786-0113	1	/P	Rear Tine Shield
35	686-0044	1	S	End Cover Ass'y.
36	710-0528	1	/P	Hex Cap Bolt 5/16-18 x 1.25" Lg.
37	712-0267	1	S	Hex Nut 5/16-18 Thd.
38	710-0118	1	S	Hex Bolt 5/16-18 x 75" Lg.
39	710-3097	1		Carriage Bolt 3/8-16 x 1" Lg.
40	712-0130	1	/P	Hex Ins L-Nut 3/8-16 Thd.
41	736-0242	1	/P	Bell-Wash .345" I.D. x .88" O.D.
42	712-0419	1		Hex Cap L-Nut 5/16-18 Thd.
43	712-3004A	1	/P	Hex Flange Top L-Nut 5/16-18 Thd.
44	786-0076	1	S	Tine Shield Brkt. - R.H.
45	786-0077	1	S	Tine Shield Brkt. - L.H.
46	711-0415	1	S	Clevis Pin .375" Dia.
47	786-0085	1		Tine Shield
48	747-0432	1		Tiller Flap Rod
49	726-0106	1	S	Cap Speed Nut
50	710-0189	1	/P	Hex Bolt 5/16-18 x 3" Lg.
51	786-0101	1	S	Shift Cover
52	710-1017			AB-Tap Scr. 1/4 x .6"

214-410-190 Roto Boss 530 (1994)  
Handle Assembly And Tine Shield

Page 8 of 8

Ref #	Part Number	Qty	S/P/F	Description
53	726-0161	1		Wire Retainer Clip
54	786-0109	1		Handle Brkt - L.H.
55	786-0108	1		Handle Brkt - R.H.
56	784-0191	1		Hex Nut Retainer Brkt.
57	712-0379	1	/P	Hex Flange Nut 3/8-24 Thd.
58	750-0885	1	S	Spacer .322 Dia.
59	784-0190	1		Handle Adjustment Crank